






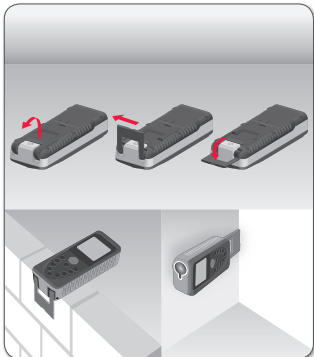
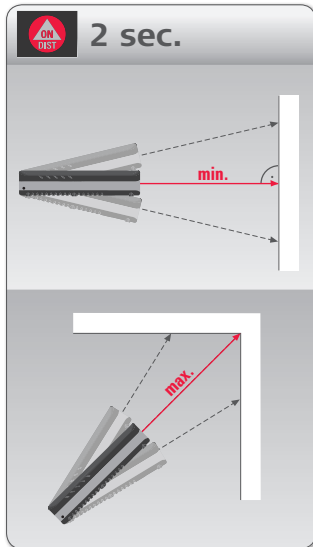
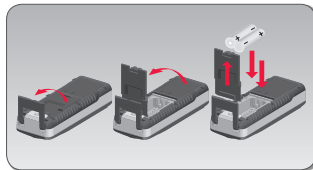


 2 sec.  save constant


 1x  recall constant

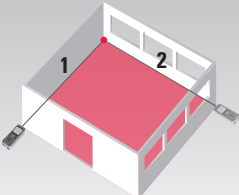
 2x  history (1-20)



 +  2 sec. delete history




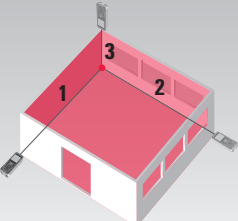
 1x 


→  2 sec.







 2x 


→  2 sec.





 MENU


 2 sec.  1.1 unit

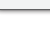
→  MENU 2.1 unit 



→  MENU 3.1 tri


→  MENU 4.1 BEEP


→  MENU 5.1 LEVEL

→  MENU 6.1 ILLU

→  MENU 7.1 rESEt

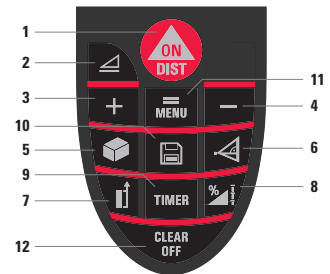
 or  changes settings in submenu

 2 sec. saves all changed settings

 CLEAR OFF exit menu without changes

# QUICKSTART

## Leica DISTO™ D3a





- 1 ON/DIST (on/measuring)
- 2 Smart Horizontal Mode
- 3 Plus (+)
- 4 Minus (-)
- 5 Area / volume
- 6 Indirect measurement (Pythagoras)
- 7 Reference
- 8 Functions
- 9 Timer
- 10 Storage/memory
- 11 Menu/equal
- 12 Clear/OFF



- when it has to be right 

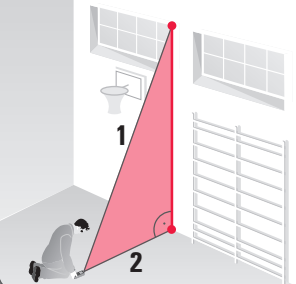
 **1x → ON**



**CLEAR OFF** 2 sec. → OFF

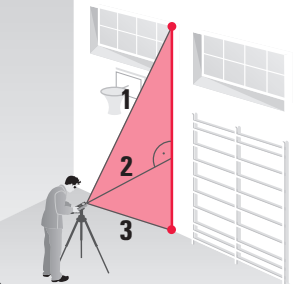
 **1x**





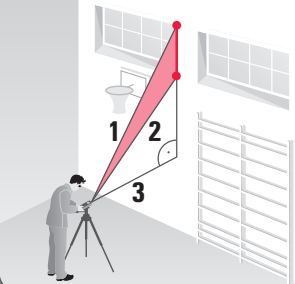
 **1x** 



 **2x** 



 **3x** 






Laser class 2 in acc. to IEC 60825-1


[www.disto.com](http://www.disto.com)





SAP. No. 776178






 **1x → horizontal measurement permanent on**

 **2x → horizontal measurement off**

 **1x** 

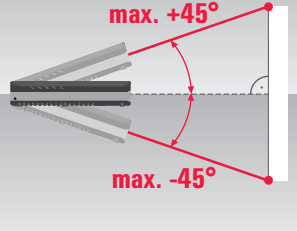
**→**  **2 sec.**





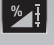
 **1x** 

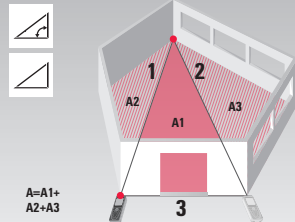
**max. +45°**

**max. -45°**


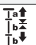


 **2x** 

**→**  **2 sec.**



A=A1+A2+A3

 **3x** 

**a 1.025m** **b 0.625m**

**a ≠ b** **b 0.625m**

**a 0.625m** **b 0.625m**

**a = b** **b 0.625m**

